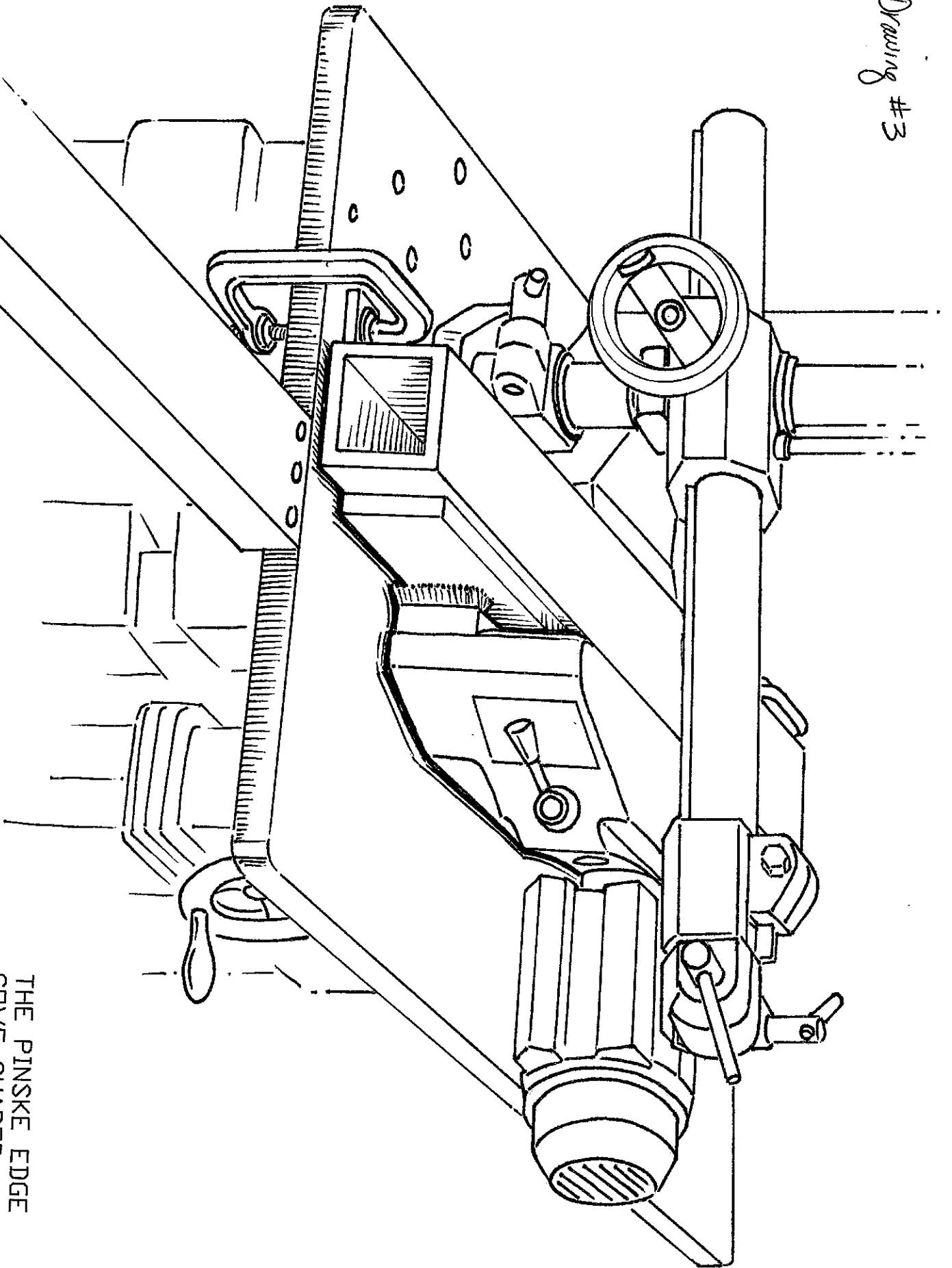
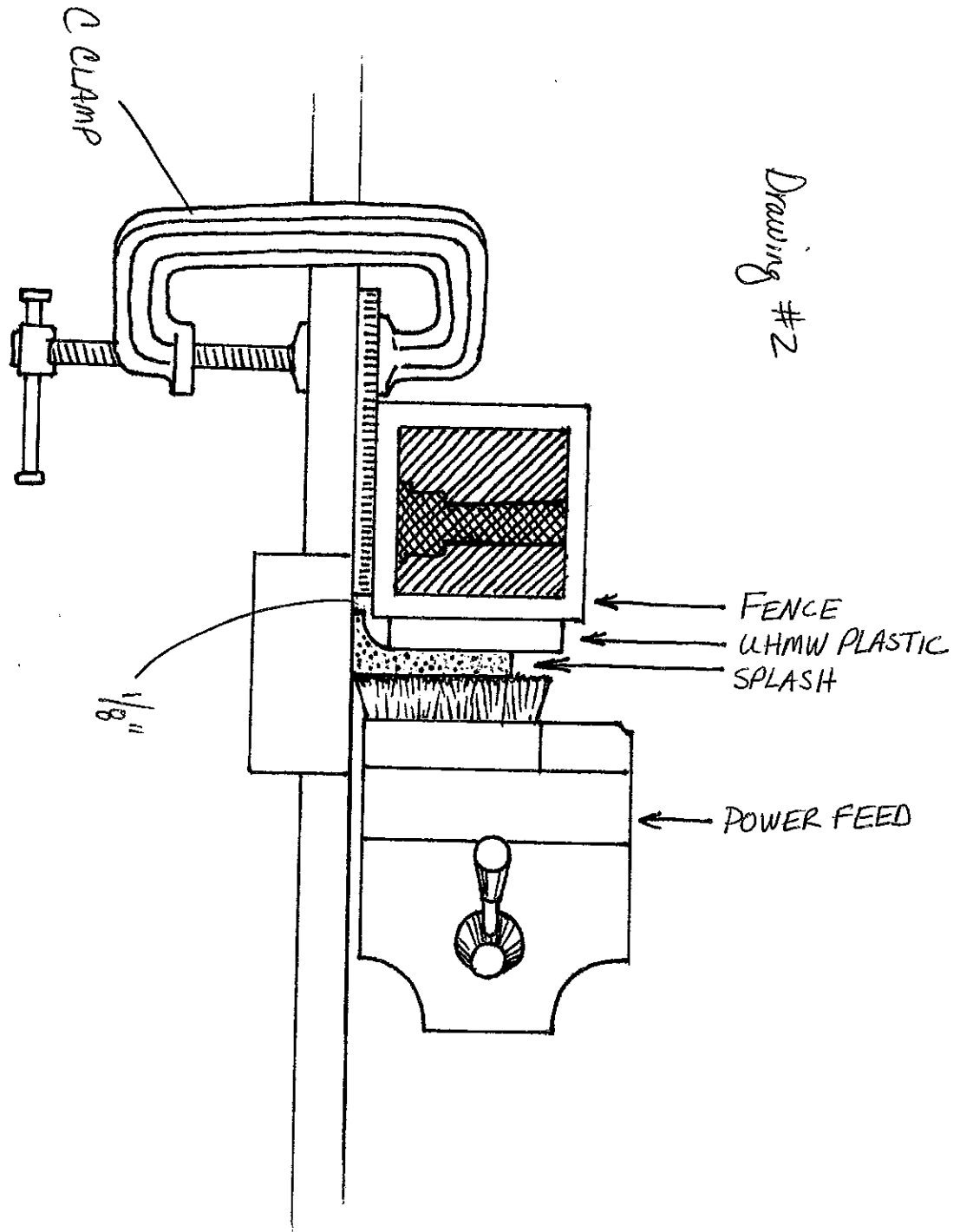


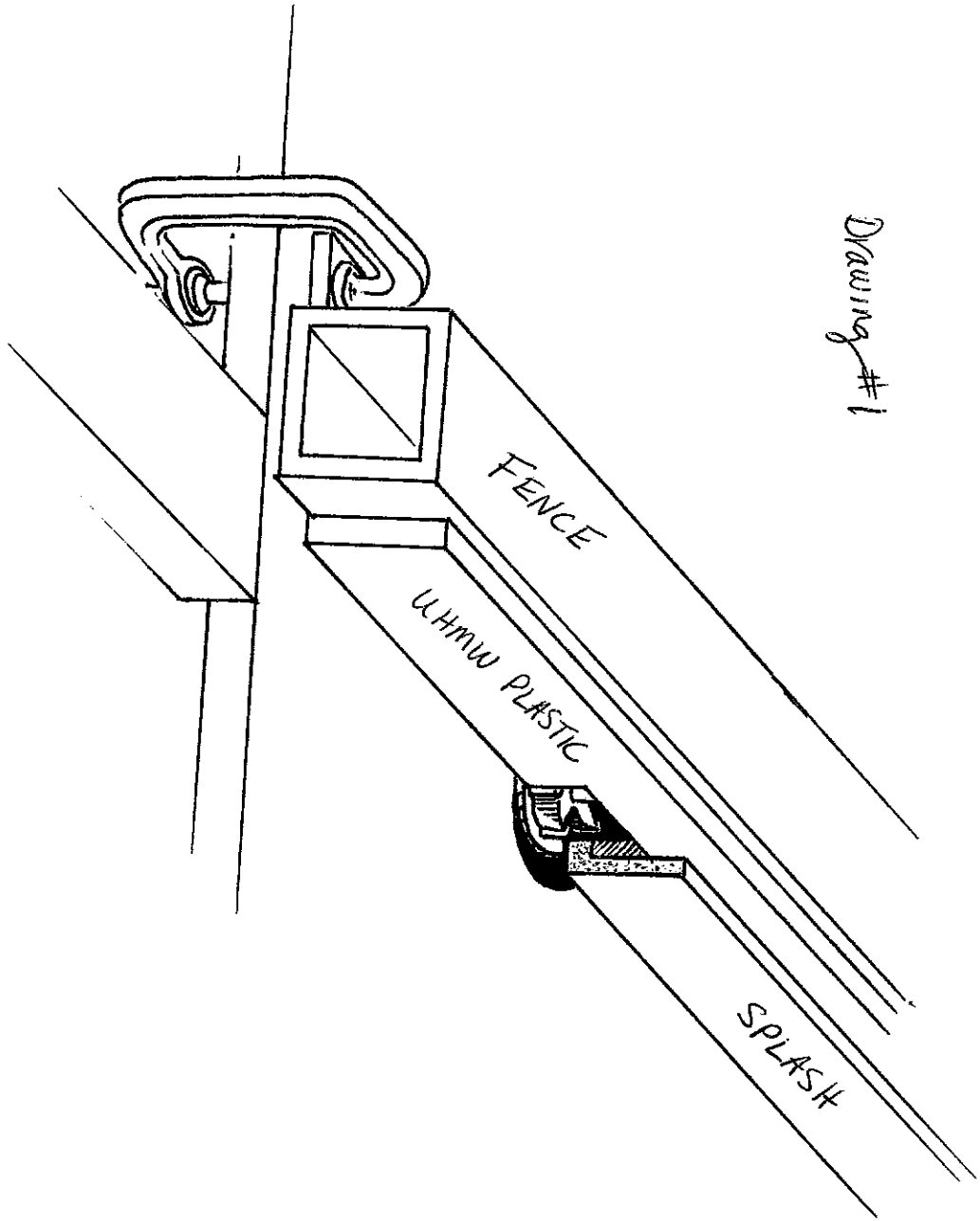
Drawing #3



THE PINSKE EDGE
COVE SHAPER
91501, 91503



Drawing #2



Drawing #1