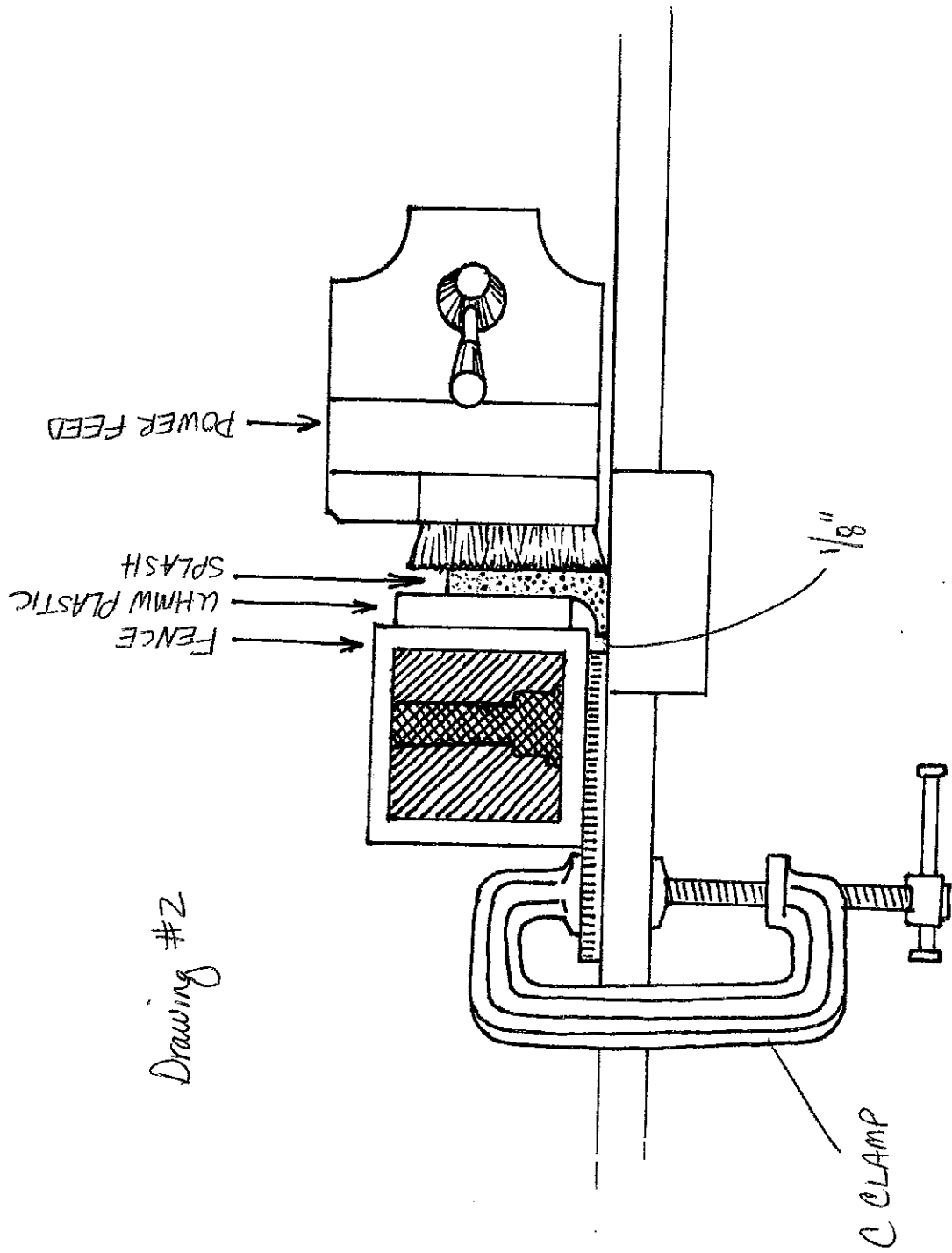
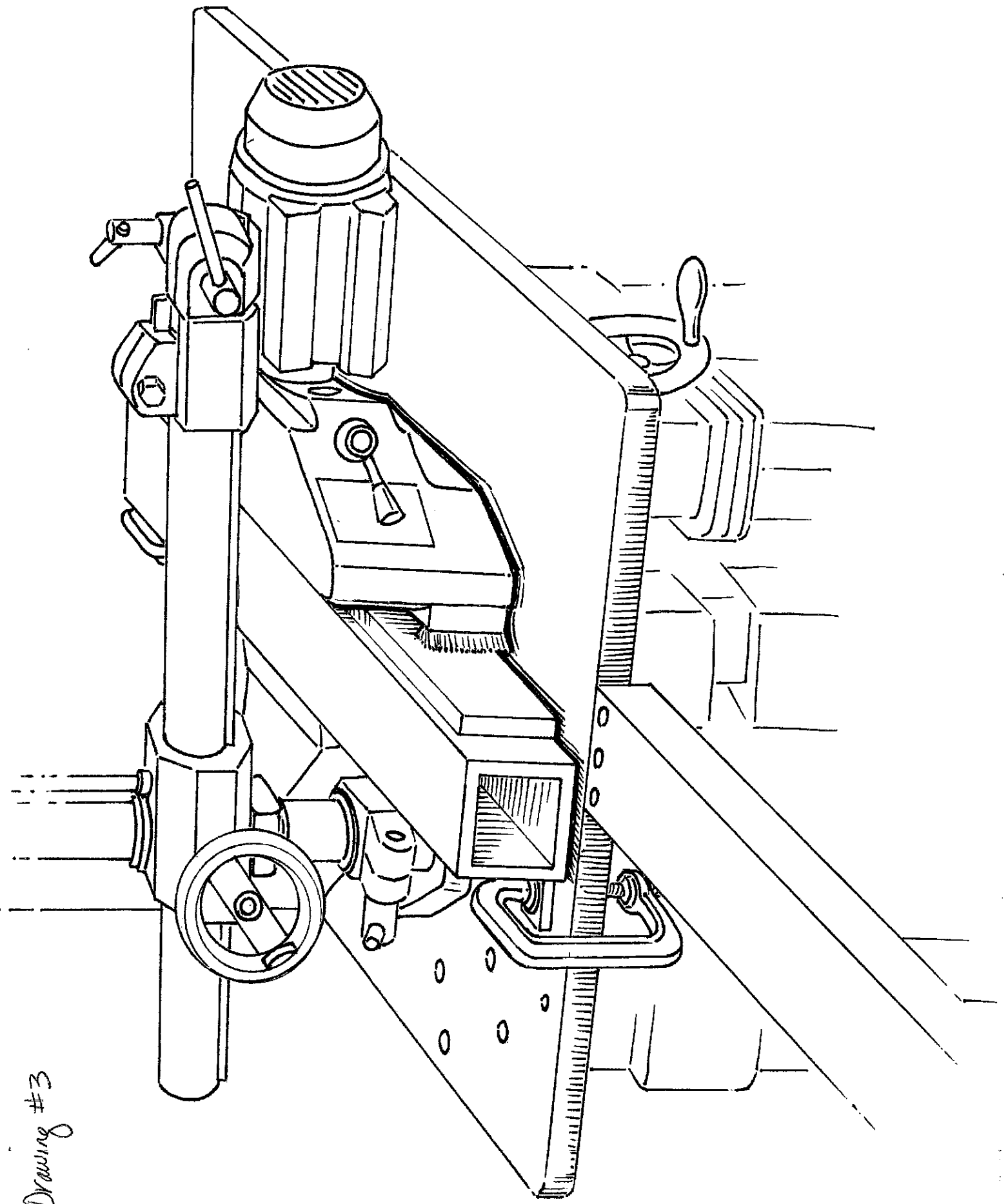


Drawing #1



Drawing #2



Drawing #3