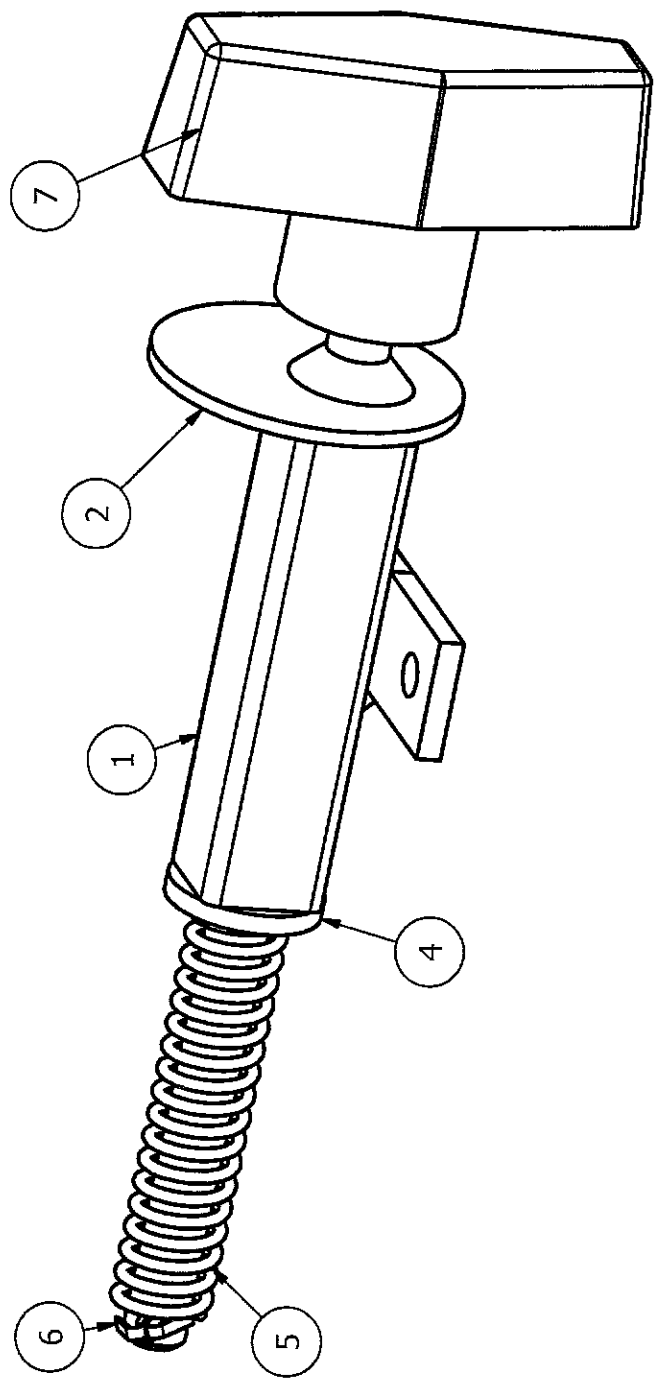


REVISION HISTORY			
REV	DESCRIPTION	DATE	BY
1			

Parts List			
QTY	DESCRIPTION	PART NUMBER	ITEM
1	TUBE WELDMENT	010377	1
1	ROD WITH WASHER WELD	010378	2
1	TUBING	010379	3
1	Washer A	ASTM F436 - 1/4	4
1	2IN SPRING	010368	5
1	COTTER PIN		6
1	HANDLE	010376	7



Material:

UNITS: INCH	DRAWN Jaredg		12/20/2007	TITLE COVE CLAMP ASSY	DWG NO 010373	REV 1
TOLERANCES UNLESS OTHERWISE SPECIFIED	CHECKED			SIZE A		
2 PL: ±.01	APPROVED Jaredg			SCALE		
3 PL: .005	THIRD ANGLE PROJECTION					
4 PL: .0005	⊕					
5 PL: .00005						
ANGULAR TOL: .1						
EDGE BREAK OUT: .01						
EDGE BREAK IN: .01						
<p style="text-align: center;">THE PINSKIE EDGE PO BOX 68 119 MAIN STREET PLATO, MN 55370</p>				SHEET 1 OF 1		