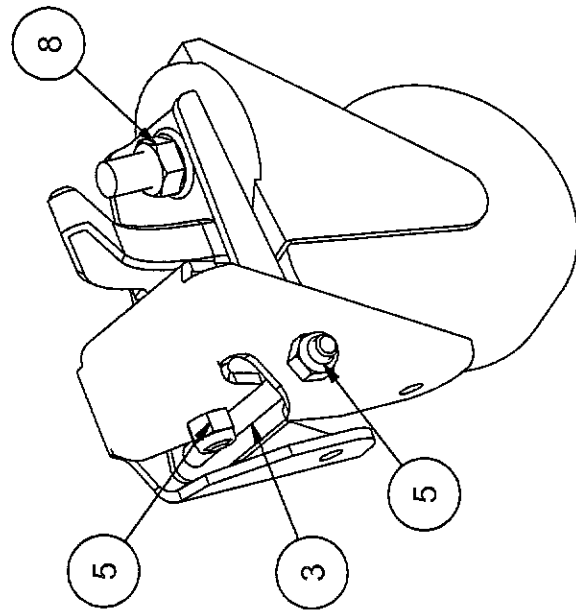
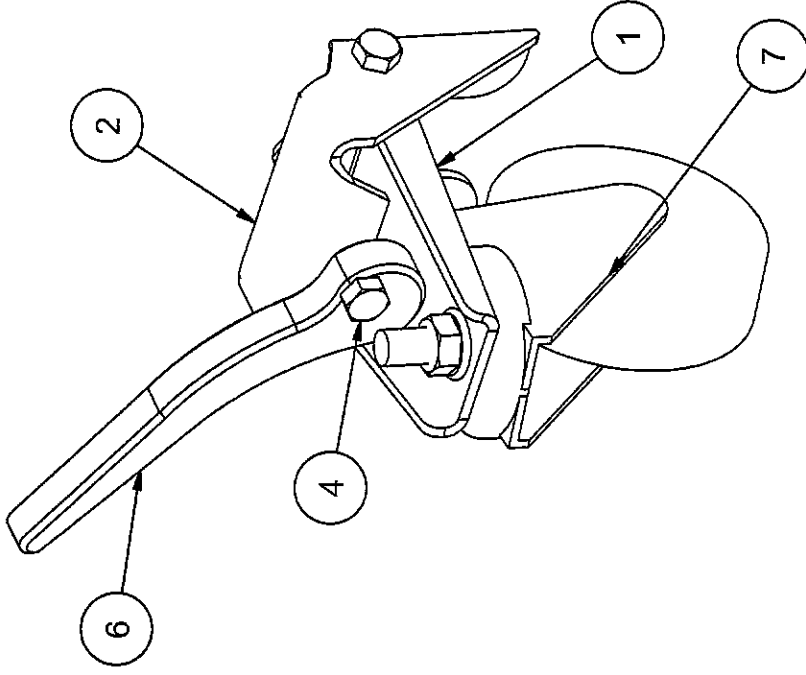


REVISION HISTORY		
REV	DESCRIPTION	DATE
1		11/12/2008

Parts List			
ITEM	QTY	TITLE	PART NUMBER
1	1	CAM LIFT WHITEEL BRACKET	012756
2	1	MOUNTING BRACKET	012755
3	1		1/4-20 UNC - 3.5
4	1		1/4-20 UNC - 2.25
5	2	Nylon Lock Nut	1/4 - 20
6	1	CAM LEVER	012754
7	1	3 INCH CASTER	011328
8	1		3/8 - 16 Flange Nut



UNITS : INCH		DRAWN Jaredg		11/12/2008		TITLE SWIVEL WHEEL ASSEMBLY	
TOLERANCES UNLESS OTHERWISE SPECIFIED		CHECKED				SIZE A	
2 PL. ± .01		APPROVED Jaredg				DWG NO 012565	
3 PL. .005						SCALE	
ANGULAR TOL. .1						REV 1	
EDGE BREAK OUT:.01						SHEET 1 OF 1	
EDGE BREAK IN:.01							

**THE PINGKIE EDGE**  
 PO BOX 68  
 119 MAIN STREET  
 PLATO, MN 55370

