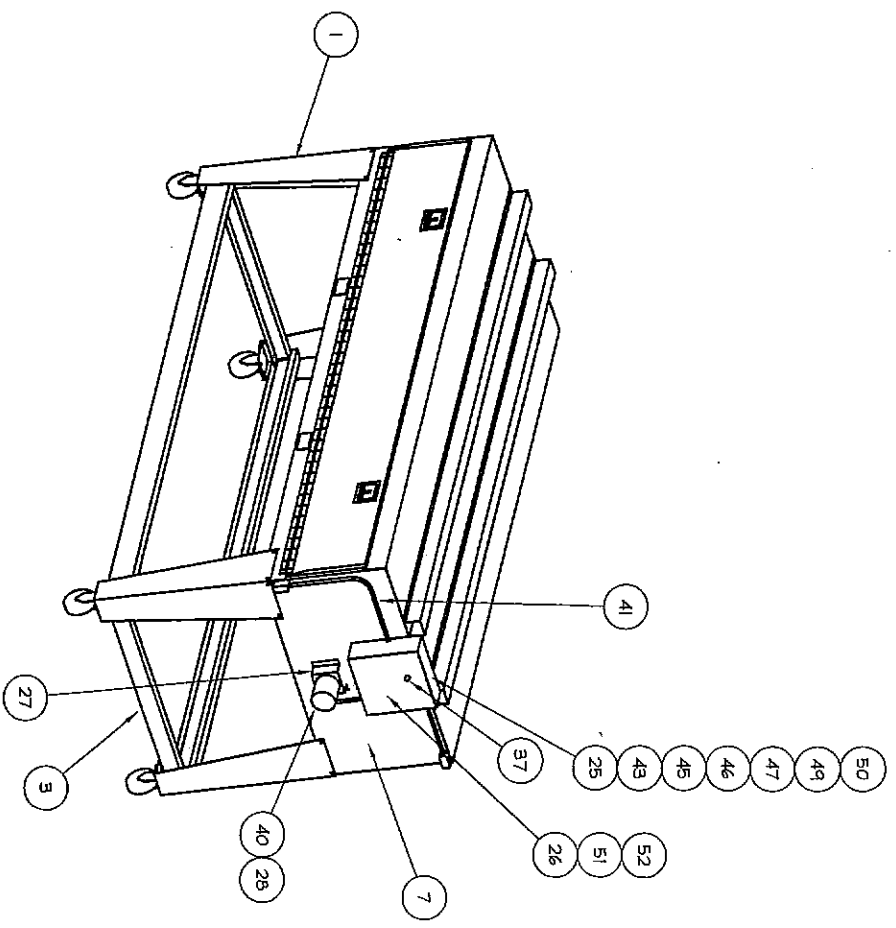
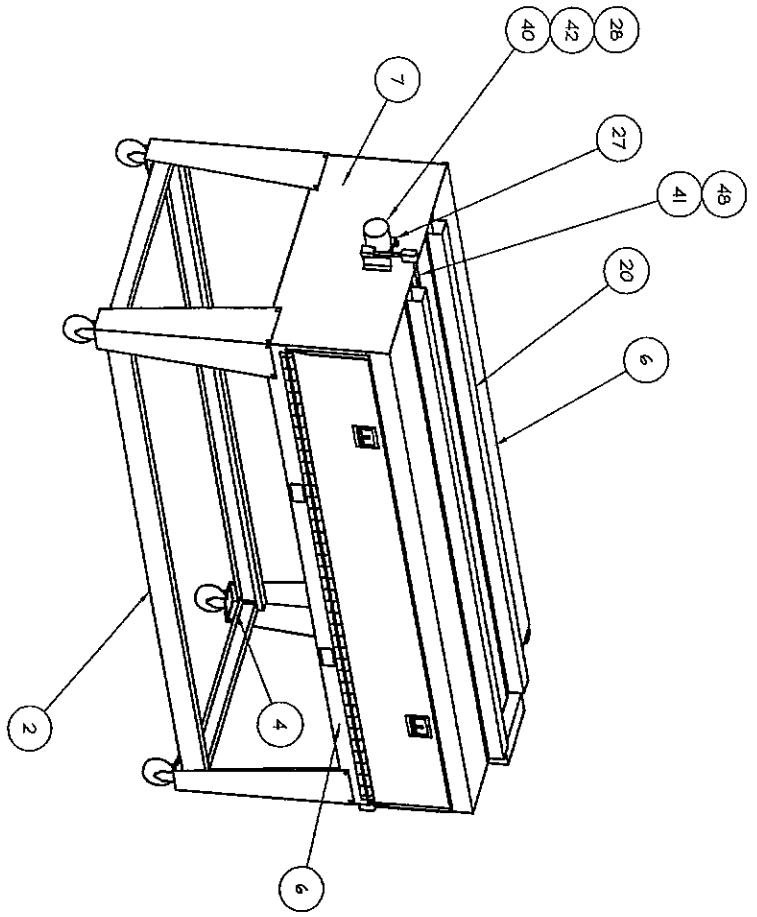
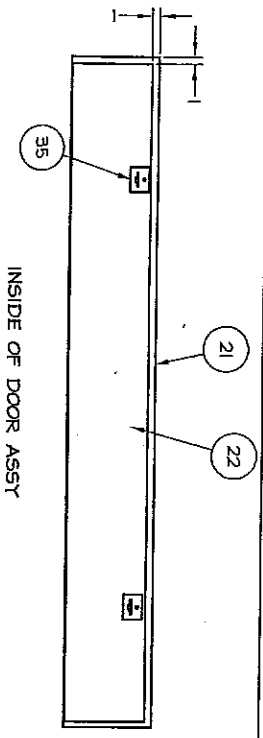
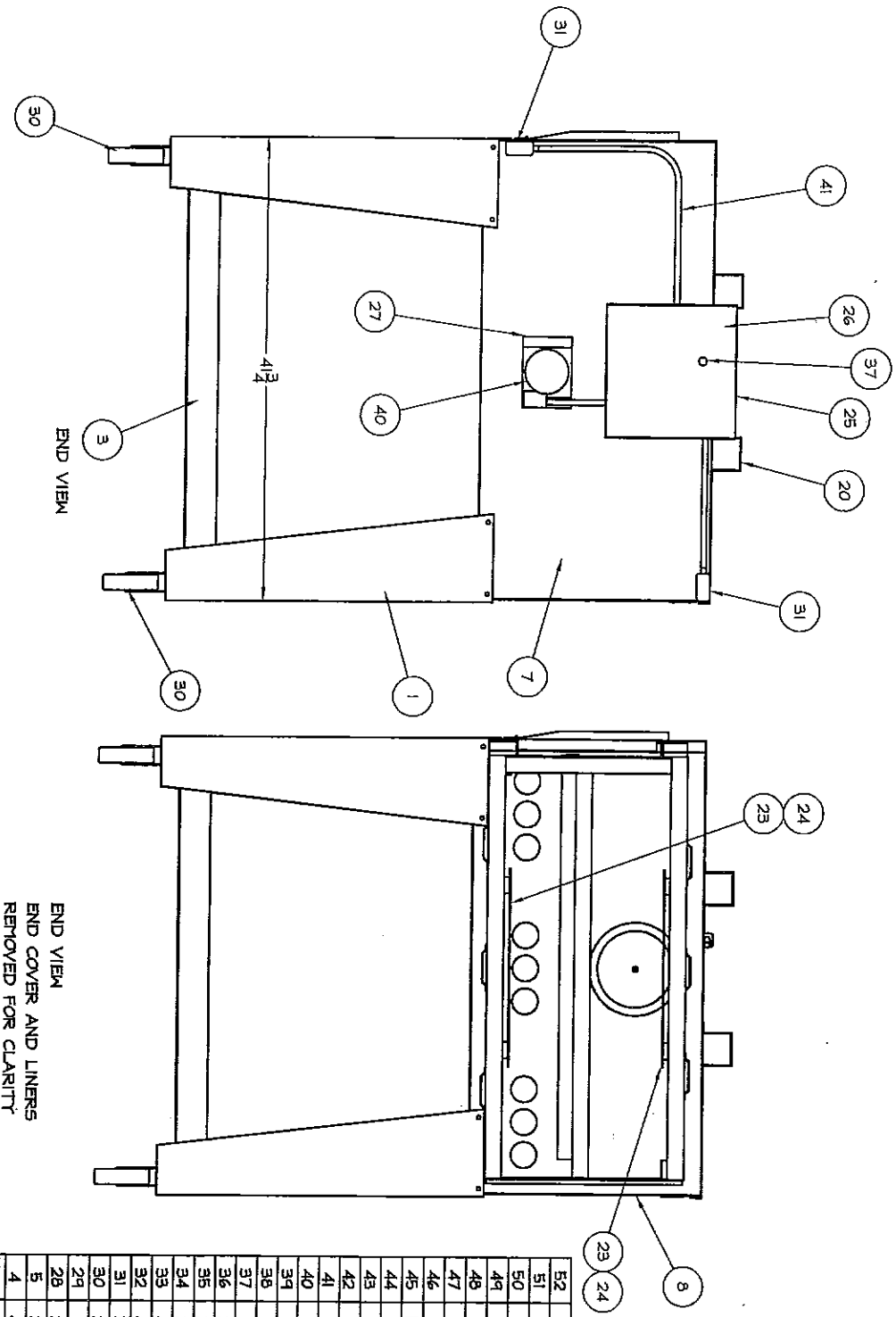


REV DESCRIPTION BY DATE



UNITS: INCH	TOLERANCES UNLESS OTHERWISE SPECIFIED	2 PL. ± .01	4 PL. ± .0005	3 PL. ± .005	5 PL. ± .00005	ANGULAR TOL. ± .1	EDGE BREAK QTY. ± 1	EDGE BREAK IN. ± .01	
THE PENSKE ENGINEERING P O BOX 68 119 MAIN STREET PLATO, TN 35570		DRAWN BY: CAS CHECKED BY: EJM DATE: 12/1/02	TITLE: OVEN DMG. NO. 48109 REV A						
SCALE: 1:20 SHEET 1 OF 7									

REV DESCRIPTION BY DATE



END VIEW
 END COVER AND LINERS
 REMOVED FOR CLARITY

ITEM	QTY	DESCRIPTION	PART NUMBER
52	1	CONTACTOR	0XXXXX
51	1	THERMOSTAT	0XXXXX
50	1	NUT	010249
49	1	CONNECTOR, TUB	010242
48	6	1/2" BMT STRAP	010241
47	1	PLUG 50 AMP	010286
46	1	CORD 50 6/3	010286
45	13	1/2" EMT/IDC CONNECTOR	010284
44	1	INSULATION	010247
43	1	SPRING MOUND TIMER	010302
42	2	FAN BLADE	010301
41	1	CONDUIT	010285
40	2	MOTOR, 1/2 HP 220V	010300
39	2	BLACK COND BOX	010305
38	1	HINGE	010304
37	1	PILOT LIGHT	010244
36	2	HANDLE	010303
35	2	HANDLE COVER PLATE	011101
34	2	7" RING	010306
33	4	ELEC BOX EXTENDER	010284
32	4	HANDY BOX COVER	010240
31	3	CONDUCTER	010287
30	2	STRAIGHT CASTER 5"	010246
29	1	SCREEN	010308
28	2	1/2" MOTOR FAN SHAFT	011104
5	2	SWIVEL CASTERS	010316
4	4	CASTER MOUNT	012026

CUSTOMER PARTS LIST

UNITS, INCH	TOL. RAISES UNL. ES&S	DATE	BY
	OTHERWISE SPECIFIED	12/10/2	
3 PL. ± .01	7 PL. ± .005		
5 PL. ± .008	15 PL. ± .0005		
ANGULAR TOL. ± .01			
EDGE BREAK OUT. ± .01			
EDGE BREAK IN. ± .01			

PINSGROVE
 RD BOX 68
 119 MAIN STREET
 PLATO, TN 35370

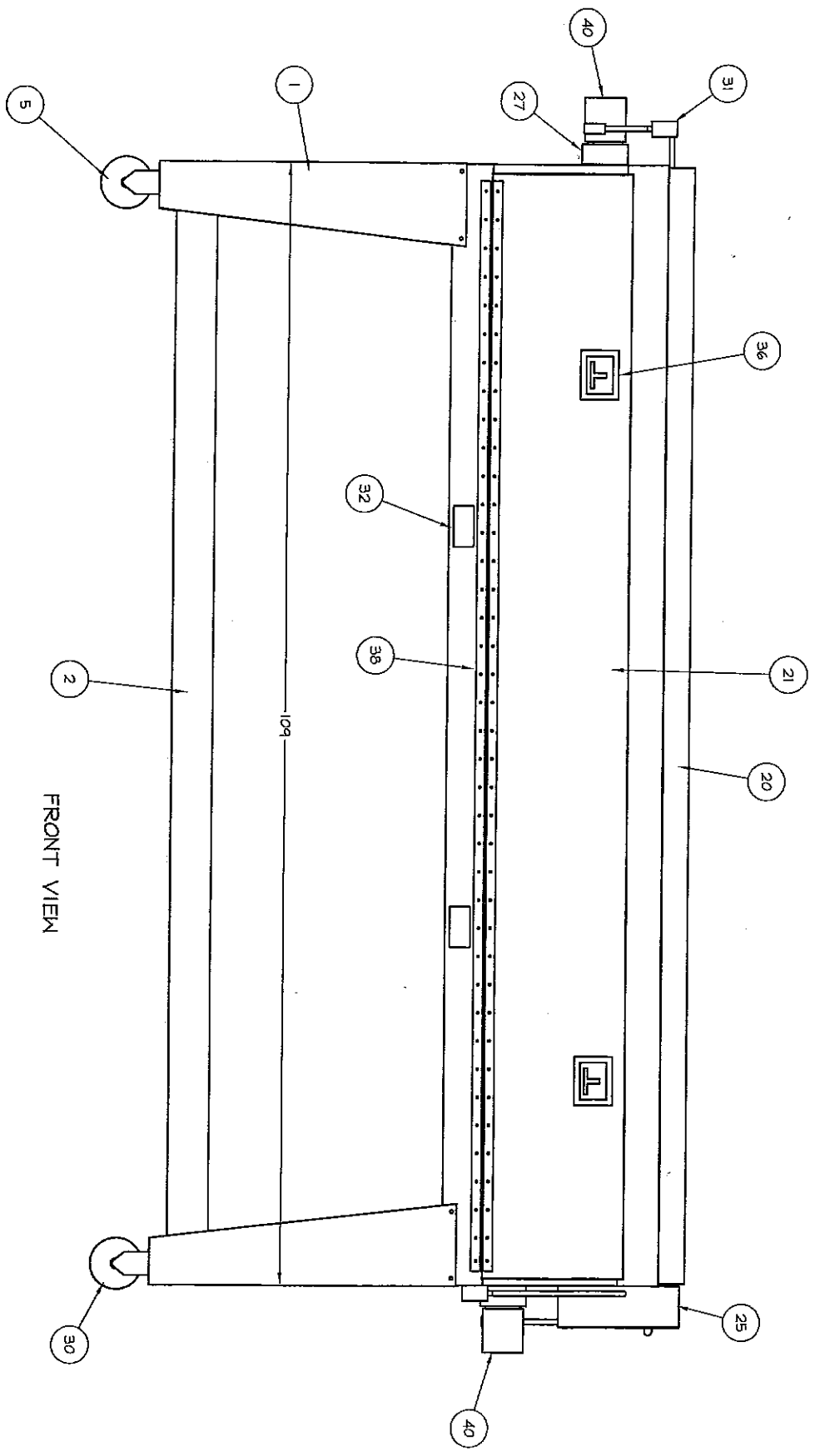
THIRD ANGLE PROJECTION

SCALE: 1:10

DWG. NO. 48109

SHEET 3 OF 7

REV DESCRIPTION BY DATE



FRONT VIEW

UNITS: INCH		TOLERANCES UNLESS OTHERWISE SPECIFIED	
2 PL. ± .01	7 PL. ± .0008	3 PL. ± .006	6 PL. ± .0006
ANGULAR TOL. ± .01		EDGE BREAK OUT. ± .01	
EDGE BREAK IN. ± .01			
THE PINSKEY EDGE PO BOX 68 119 MAIN STREET PLATO, TN 35370		DRAWN BY: CS CHECKED BY: CS DATE: 2/10/02	
THIRD ANGLE PROJECTION 		TITLE: OVEN DWG. NO.: 48109 SCALE: 1:10 SHEET 2 OF 7	

ITEM	QTY	NAME	VENDOR	VENDOR P/N	PART NUMBER	ITEM	QTY	NAME	VENDOR	VENDOR P/N	PART NUMBER
42	2	FAN BLADE	GRANGER	4C473	010301	31	3	CONDUCTER	GRAYBAR	ASLB-1	010287
41	1	CONDUIT	GRAYBAR	1/2" EMT CON	010285	30	2	STRAIGHT CASTER 5"	ERWAGNER	1F9355037000100	010296
40	2	MOTOR, 1/2 HP 220V	GRANGER	3M001	010300	29	1	SCREEN			010308
39	2	BONDING/OND BOX	ELEC MOTOR	KTI142 3-1/2"	0X0288	28	2	1/2" MOTOR FAN SHAFT			011104
51	1	THERMOSTAT	REP		0X000X	27	2	MOTOR SUPPORT			
38	1	INDUCE	RESTARTER-DWR	H0035546 96RANGE	010308	26	1	ELEC BOX COVER			
37	1	INDUCTOR, TUB	SEWTERBERG	TUB-INDUCT-STRIGHT	010298	25	1	ELEC BOX			
36	8	INDULANT STRAP	GRAYBAR	2-#0000S.S.	010293	24	16	ELEM COVER FOOT			
35	2	FRANLBOCNER PLATE	GRAYBAR	MDC53	010289	23	4	ELEMENT COVER			
34	2	DOVENSO 6/3	GRAYBAR	6/3 SO COND 220V	010306	22	1	DOOR LINER			
33	16	ELEC BONTREDEORRECTOR	GRAYBAR	R02864	010288	21	1	DOOR			
32	4	INDUCTOR COVER	GRAYBAR	R02864	010288	20	2	HAT			
31	4	SPRING WOUND/ABER	GRAYBAR	M028906	010290	19	3	LONG ANGLE W NOTCH			
						18	2	101" ANGLE			
						17	2	LONG ANGLE			
						16	2	ANGLE SUPPORT			
						15	2	SHORT ANGLE			
						14	11	SHORT RIB			
						13	6	LONG RIB			
						12	2	AIR LINER			
						11	2	END LINER			
						10	2	BOTTOM/TOP LINER			
						9	1	BACK LINER			
						8	1	BACK COVER			
						7	2	END COVER			
						6	2	BOTTOM/TOP COVER			
						5	2	SWIVL CASTERS	ER WAGNER	2F9855037002100	010316
						4	4	CASTER MOUNT			012026
						3	2	LEG BRACE			
						2	2	LONG LEG BRACE			
						1	4	LEG			

UNITS: INCH
 TOLERANCES UNLESS OTHERWISE SPECIFIED
 2 F.L. ± .01 1 F.L. ± .005
 3 F.L. ± .005 1 S.F.L. ± .00005
 ANGLE TOL. ± .1
 EDGE BREAK: 0.015 R

PENSKOPE
 PO BOX 68
 119 MAIN STREET
 PLATO, MN 55370

CAS 3/21/02
 THERD ANGLE PROJECTION
 TITLE: OVEN
 DWG. NO: 48109
 SCALE: 1:1
 SHEET: 7 OF 7