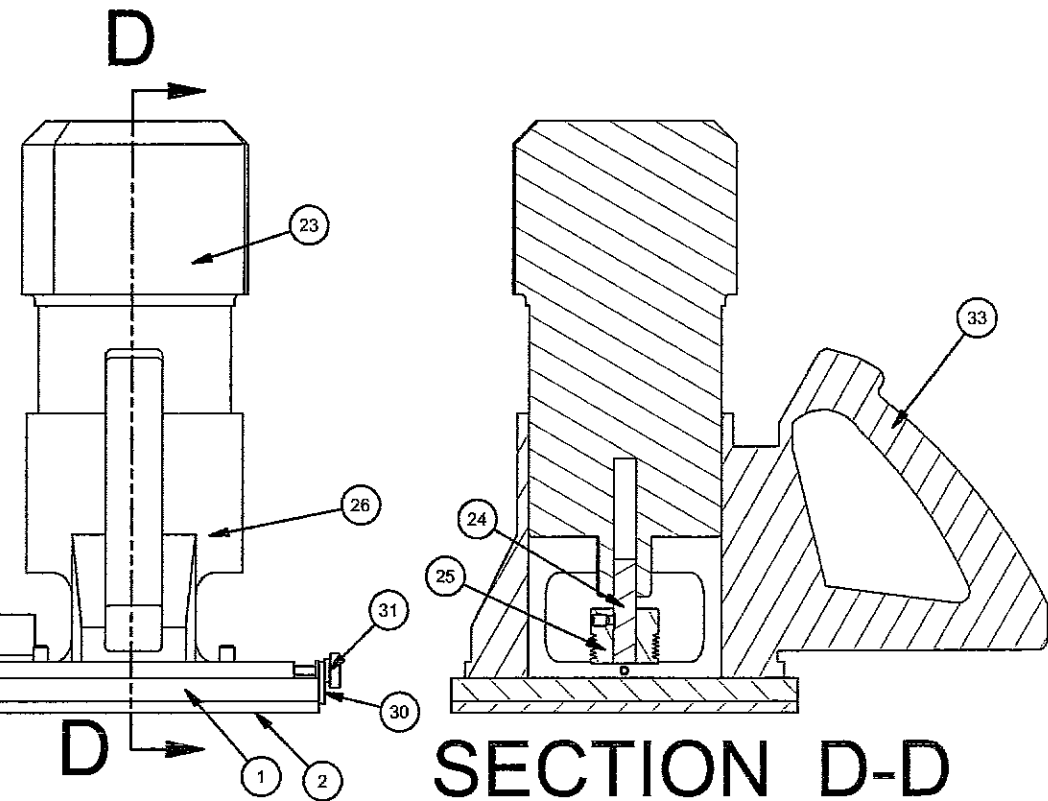
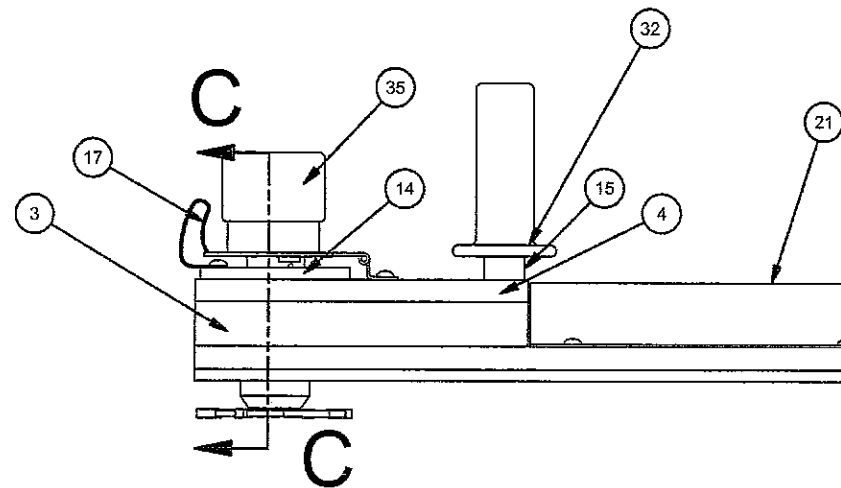
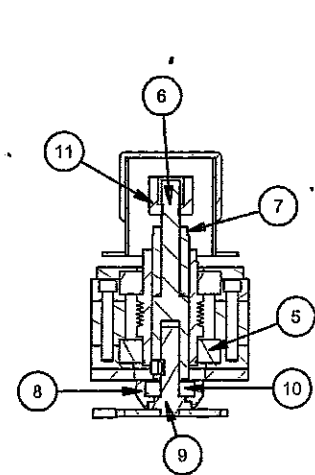
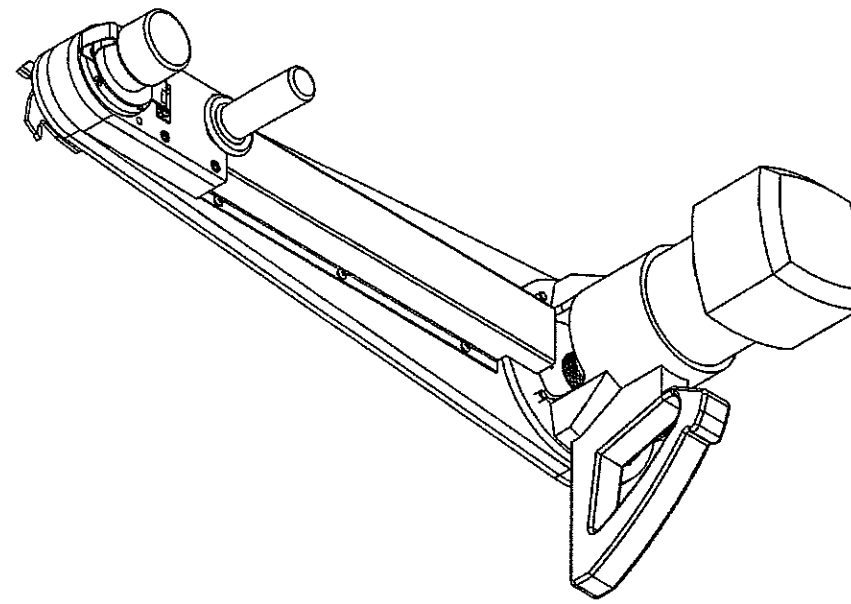


Parts List			
ITEM	QTY	TITLE	PART NUMBER
1	1	1.5 IN BASE PLATE	010132
2	1	WHITE POLY BASE	010141
3	1	1IN MIDDLE BEARING PLATE	010163
4	1	.5IN UPPER BEARING PLATE	010164
5	2	BEARING	010137
6	1	LEFT HAND THREAD ARBOR	010135
7	1	ARBOR PULLEY WITH TRAN TORQUE	010147
8	1	PLASTIC COLLOR	010139
9	1	BIT FINISED ASSY	010174
10	1	BEARING	010138
11	1	KNURLED NUT, LEFT HAND	010166
12	21		ANSI 10-24 UNC x 0.5
13	7		ANSI 1/4 - 20 UNC - 1 1/2
14	1	TOP BEARING PLATE	010165
15	1	HANDLE	010145
16	1		ANSI 5/16-24 UNF - 1.5
17	1	COVER CLIP	010148
19	3		ANSI 10 - 24 - 3/8
21	1	BELT GUARD	010144
22	6		ANSI 10 - 24 - 1/2
23	1	MOTER	010151
24	1	MOTER SHAFT PIN	010133
25	1	MOTER PULLEY	010167
26	1	ROUTER BASE	010156
27	1		ANSI 5/16 - 24 - 1/4
28	1		ANSI 1/4-20 UNC - 0.375
29	4		ANSI 5/16 - 18 UNC - 1
30	1	ADJUSTABLE SCREW BRACKET	010149
31	1	ADJUSTABLE SCREW	010150
32	1	RUBBER GRIP .875 OD (BLUE)	010146
33	1	HANDLE SET	012536
34	1	SERPENTINE BELT	010143
35	1	SPINDLE COVER	010140

REVISION HISTORY			
REV	DESCRIPTION	DATE	BY
A	NONE	12/6/2006	JG



SECTION C-C

SECTION D-D

UNITS: INCH		DRAWN JaredG	12/6/2006	TITLE SINK REMOVAL ROUTER ASSY
TOLERANCES UNLESS OTHERWISE SPECIFIED		CHECKED		SIZE B
2 PL. ± .01 3 PL. .005		APPROVED		DWG NO 7000
4 PL. .0005 5 PL. .00005	ANGULAR TOL. .1 EDGE BREAK OUT: .01 EDGE BREAK IN: .01	THIRD ANGLE PROJECTION		REV A
				SCALE
				SHEET 1 OF 1