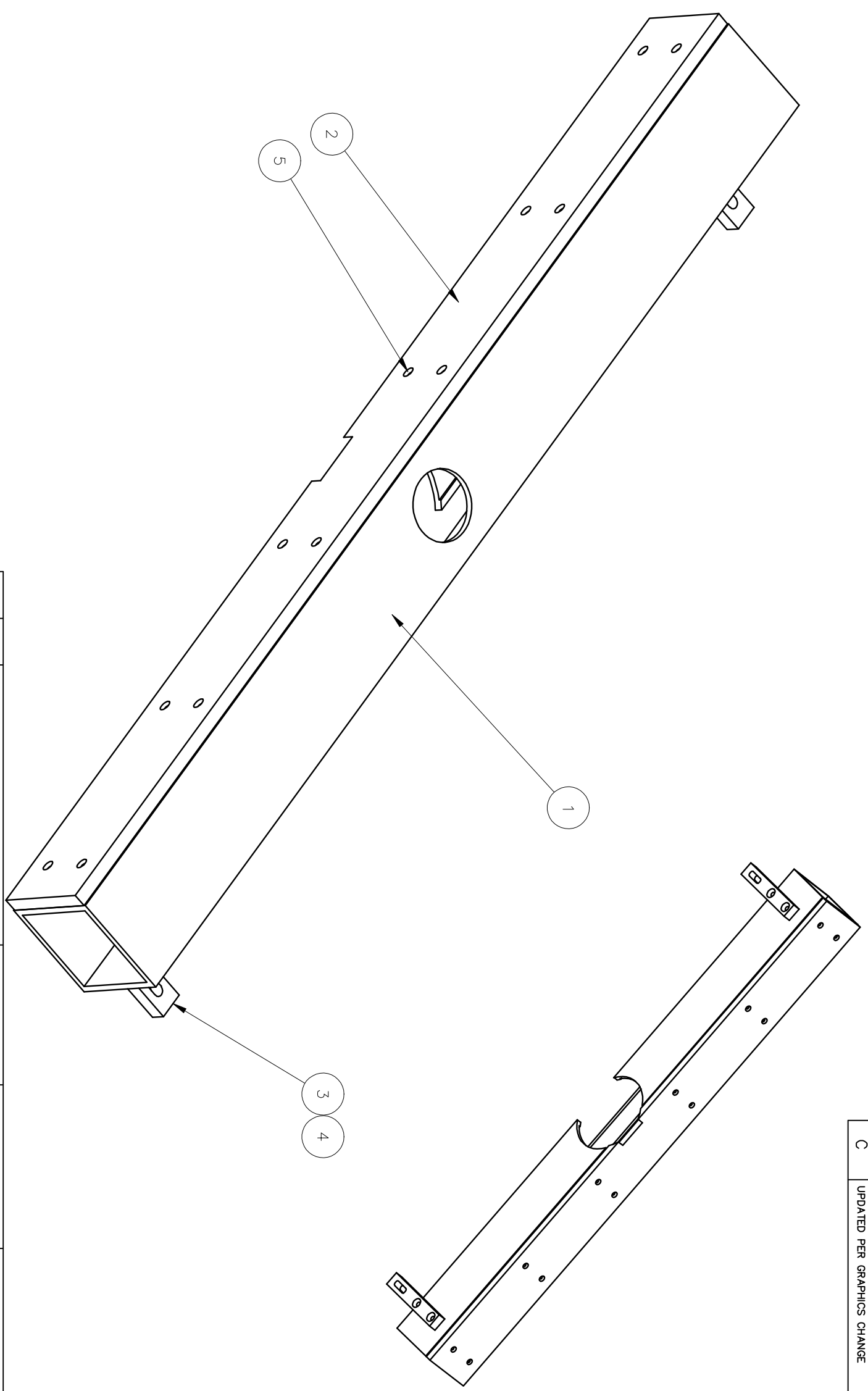


REV	DESCRIPTION	BY	DATE
C	UPDATED PER GRAPHICS CHANGE	CAS	7/11/02



Item	Qty	Name	Vendor	Vendor P/N	Part Number	Manufacturer
5	12	10-32 X 3/4 PFHMS				
4	4	5/16-18 X 1 PFHMS				
3	2	BRACKET			011397	
2	1	FENCE BOTTOM			011398	
1	1	FENCE WELDMENT			011811	

Parts List

UNITS: INCH	TOLERANCES UNLESS OTHERWISE SPECIFIED	2 PL ± .01	4 PL ± .0005	3 PL ± .005	5 PL ± .00005	ANGULAR TOL. ± 1	EDGE BREAK OUT: .01	EDGE BREAK IN: .01
THE PINSKEE P.O. BOX 68 119 MAIN STREET PLATO, MN 55370		DRAWN CAR CHECKED APPROVED DATE DATE DATE	DATE 3/27/01	TITLE SHAPER FENCE ASSEMBLY		THIRD ANGLE PROJECTION	SCALE: 1:4	SHEET 1 OF 1
		REV B	DWG. NO. 91139			REV B		