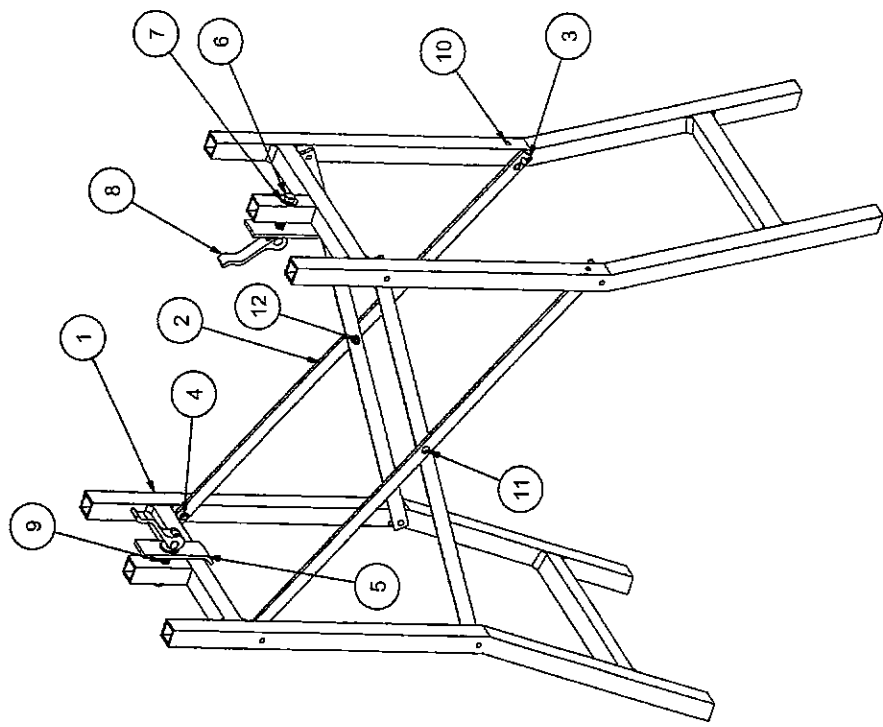


| Parts List | | | |
|------------|-----|-----------------------------|-------------|
| ITEM | QTY | TITLE | PART NUMBER |
| 1 | 2 | Legs W Cross Brace | 010084 |
| 2 | 4 | Cross Arms | 010091 |
| 3 | 4 | Hair Pin W Chain | 010087 |
| 4 | 4 | E-CLIP | 010088 |
| 5 | 2 | STEEL CAM LOCK BAR | 012758 |
| 6 | 2 | 5/16-18-2.5 HEX BOLT | |
| 7 | 2 | 5/16 WASHER | |
| 8 | 2 | Cam Clamp | 012750 |
| 9 | 2 | 3/4 Long Comperssion Spring | 012759 |
| 10 | 4 | 1/8 POP RIVET | |
| 11 | 2 | 10 - 24 - 3/4 PPHS | |
| 12 | 2 | 10-24 Nylon Lock Nut | |



| | | | | | |
|---------------------------------------|--------------------|--|--|----------------------|------------------|
| UNITS: INCH | | DRAWN 4/8/2008 | | TITLE Power Stand | |
| TOLERANCES UNLESS OTHERWISE SPECIFIED | | CHECKED | | REV | |
| 2 PL., .01 | 4 PL., .0005 | APPROVED | | SIZE B | DWG NO 242500 |
| 3 PL., .008 | 6 PL., .0005 | THIRD ANGLE PROJECTION | | SCALE | REV 1 |
| ANGULAR TOL. 1 | EDGE BREAK OUT .01 | THE PINKSKE EDGE | | SHEET 1 OF 1 | |
| EDGE BREAK OUT .01 | | PO BOX 618 HAWAII CITY, HAWAII, HI 96720 | | | |